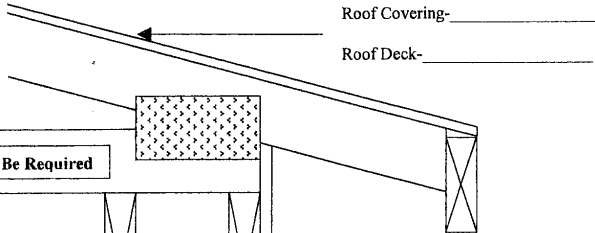
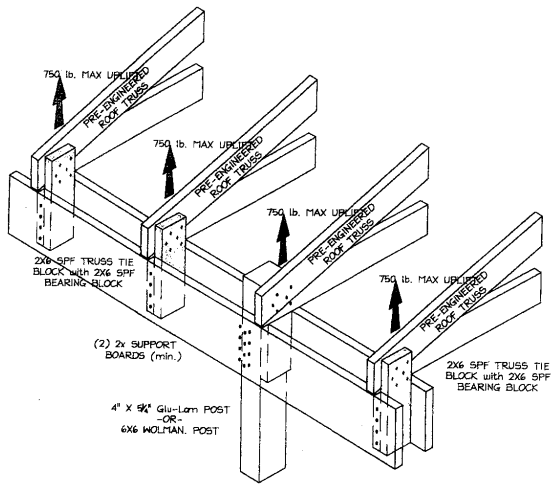
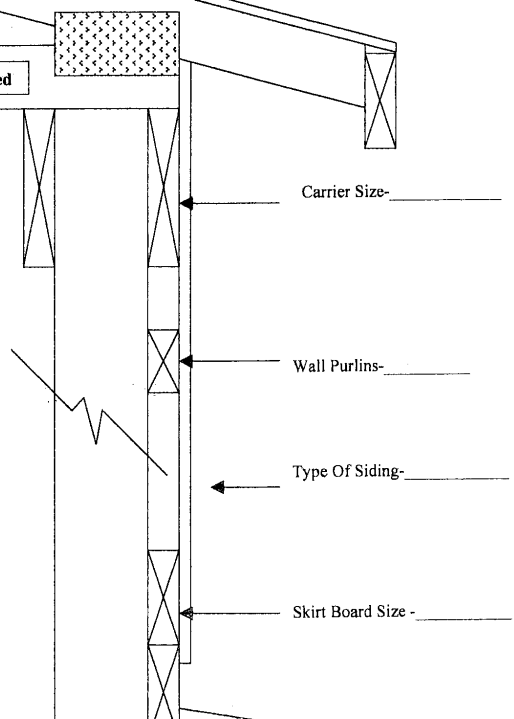


RESIDENTIAL POLE BARN



Trusses: Yes No
 If no fill out rafter information below
 Truss/Rafter Block Size: _____
 Rafter Size: _____
 Rafter Spacing: _____
 Ridge Size: _____
 Ceiling Joist Size: _____
 Ceiling Joist Spacing: _____
 Pole Size: _____
 Pole Spacing: _____
 Ceiling Height: _____
 Roof Peak Height: _____
 Insulation Materials: _____
 Finish Materials: _____



Concrete Slab Floor Thickness - _____ Inches

Grade Level!

All Concrete Footings Shall Be Mixed With Clean Water Outside Of The Hole

Depth Below Grade- _____ Inches

Footing Height - _____ Inches
